

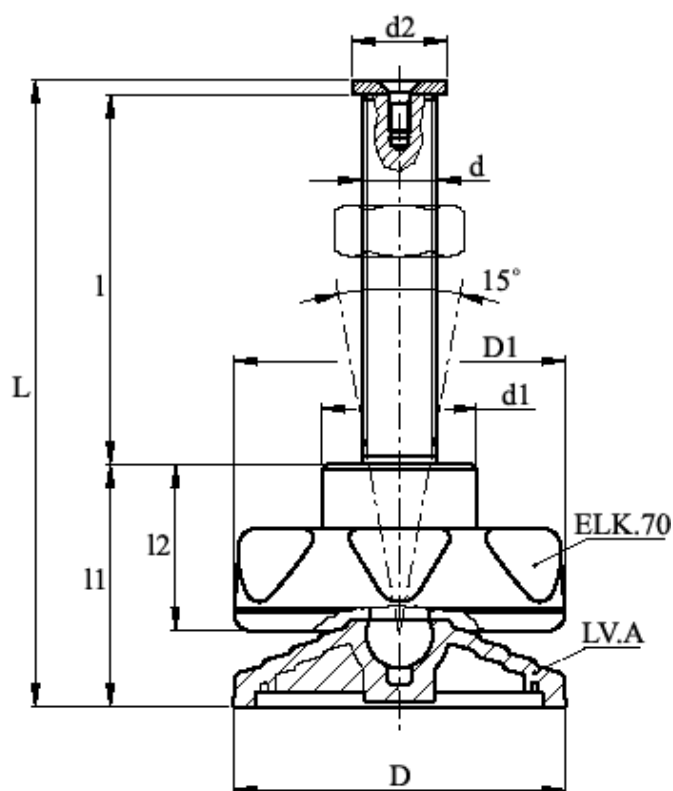
# Data Sheet



Article number: 2310304581

Description: E+G Levelling element  
LV.A-80-14-M16x78-ELK

## Measures



Ball size = 14	$l_1$	= 56
$d$ = M16	$l_2$	= 35
$D$ = 80	Max load (N)	= 14000
$d_1$ = 33		
$D_1$ = 70		
$d_2$ = 20		
$l$ = 78		
$L$ = 137		